

schülke -†



sm 2 Universal – suitable for 500 ml to 1,000 ml bottles
sm 2 500 – suitable for 500 ml bottles
For the application of hand disinfectants, wash and care lotions.

sm 2 Universal / sm 2 500

Our plus:

- no recontamination or evaporation due to unique pump design and integrated bottle closure
- valve protected from contact and contamination
- container can be completely emptied due to a flexible suction hose
- adjustable stroke from 1 ml – 3 ml
- easy cleaning as dispenser and pump can be completely disassembled
- simple mounting

Description

Simple and exact metering of hand disinfectants, wash and care lotions

- the required quantities are provided by the adjustable stroke from about 1 ml to 3 ml per stroke.
- pump system and discharge valve have been harmonized so that the different viscosities of the preparations are taken into account
- Hermetic sealing due to unique outlet valve: no drips, no leakage, no drying up, no evaporation, no recontamination.

Changing product

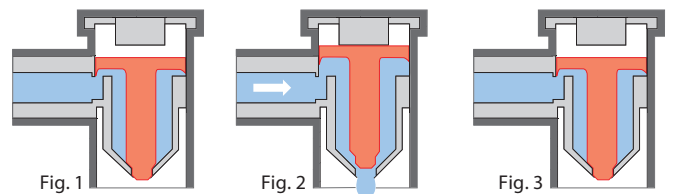
In case of a product change only the one-way bottle must be replaced and the detachable pumping system must be rinsed. The bottle label is the dispenser label.

Cleaning

The wall dispenser can be dismantled and disassembled without tools. Smooth and polished surfaces allow easy cleaning.

Discharge valve

The design of the discharge valve does not allow the product to flow out before the big opening is unclosed. Therefore no sharp yet can build up. An additional seal at the lower end of the discharge opening prevents leaking in case of closed valve.



Operating lever

Can be operated by the elbow or lower arm. The lever can be turned up for simple replacement of the pump and for metering adjustment.



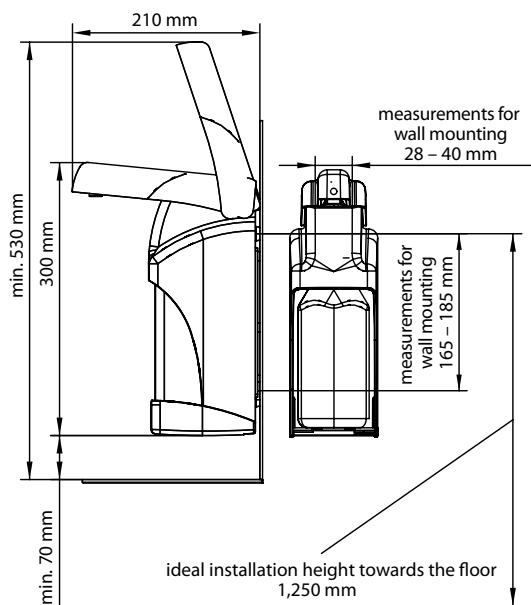
sm 2 universal / sm 2 500

Mounting instructions

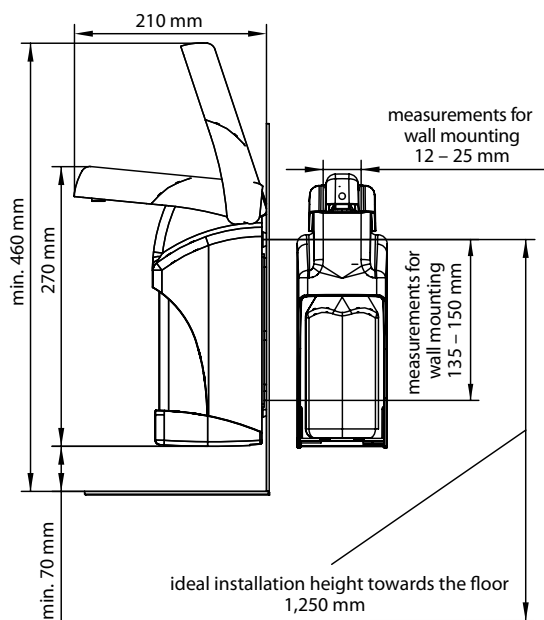
Standard mounting:

- 2 elongated holes above and below
- best static fixing for dispenser: T-fixing which fits in all tile joints
- hole pattern at the back of all common dispenser mountings

Mounting measurements sm 2 Universal:



Mounting measurements sm 2 500:



Technical data

Dispenser box:	500 ml – 1,000 ml (sm 2 Universal) 500 ml (sm 2 500)
Adjustable metering:	about 1 ml to 3 ml
Level indicator:	permanent due to transparent box
Materials:	casing made of ABS plastic, metal parts of stainless steel

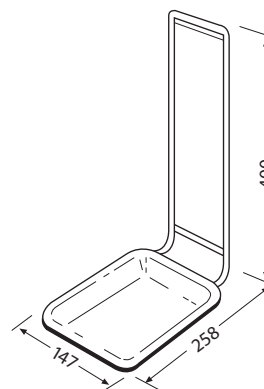
Packaging units

Packaging units	Art. no.
<input type="checkbox"/> sm 2 Universal (450 / 500 ml – 1,000 ml)	668 500
<input type="checkbox"/> sm 2 500 (450 – 500 ml)	668 600

Accessories

Accessories	Art. no.
Dish fixing for sm 2 Universal / sm 2 500 complet	668 510
Replacement pump	668 540

Dish mounting



Schülke & Mayr GmbH ist zertifiziert gemäß DIN EN ISO 9001, DIN EN ISO 14001 und DIN EN ISO 13485 (Reg.-Nr. 004567-MP23) und verfügt über ein validiertes Umweltmanagementsystem gem. Öko-Audit-Verordnung (Reg.-Nr. D-150-00003).

Schülke & Mayr GmbH
22840 Norderstedt, Germany
Phone +49 (0) 40 - 521 00 - 0
Fax +49 (0) 40 - 521 00 - 318
www.schuelke.com
mail@schuelke.com